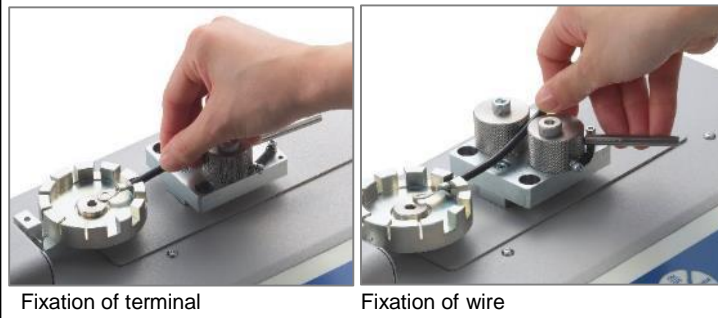


## Automatic Crimp Tester ACT-1000N

- The start button provides smooth flow from Testing to Data saving including OK/NG judgment.
- Save the test conditions up to 26 patterns. The suitable setting is able to be recalled instantly.
- 2 test modes are available "BREAK mode" and "KEEP mode".
- It can partly measure the test in accordance with standards JISC2805 and UL 486A-486B.

### Sample setting by One hand



### Test start by One Button Push



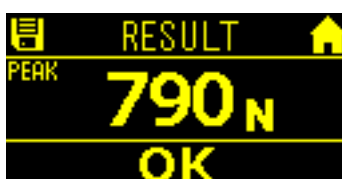
After sample breaking or after loading setting force in setting time, automatically, the moving part is back to the first position.



The one button pressing provides smooth flow from Testing to Data saving.  
It reduces the test tasks.

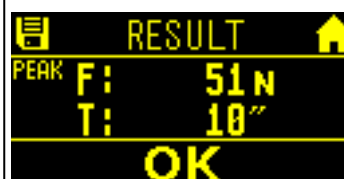
- ◇ Approved Standard ◇
- JIS C2805(2010)  
"Crimp-type terminal lugs for copper conductors"
  - UL 486A-486B (2013)  
"Standard for Safety for Wire Connectors, 9.3.4 Pullout test"

### OK/NG judgement



Result can be judged Pass or Fail according to the setting value.

### Data saving in PC or in ACT-1000N



Collective Data Management

- Force
- Date & Time
- OK/NG judgement

USB connecting PC

### Store different test conditions along each test sample

Enable to store test conditions up to 26 patterns

#### Setting Conditions

- Sample name( Alphabet/Number up to 10 letters)
- Test mode (BREAK/KEEP)
- Test Speed
- Judgement Force(OK/NG standard force or Keep force)

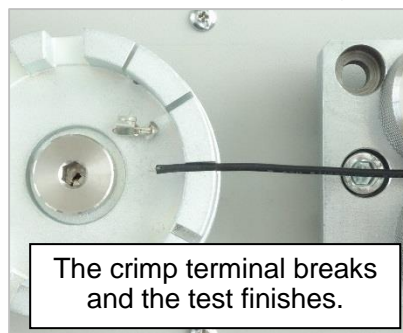
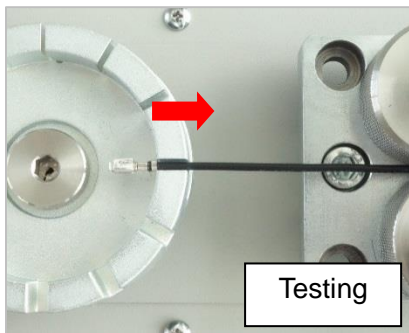
番号	名前	モード	速度	判定	判定力	判定モード
A	SampleA	BREAK	100	100	1	1
B	SampleB	KEEP	35	100	10	1
C	SampleC	BREAK	100	100	100	1
D	SampleD	BREAK	100	100	1	1
E	SampleE	BREAK	100	1000	1	1
F	SampleF	BREAK	100	1000	1	1
G	SampleG	KEEP	35	1000	1	1
H	SampleH	KEEP	100	1000	1	1
I	SampleI	KEEP	100	1000	1	1
J	SampleJ	BREAK	100	1000	1	1
K	SampleK	KEEP	100	25	10	1
L	SampleL	KEEP	100	100	10	1
M	SampleM	KEEP	35	100	10	1
N	SampleN	KEEP	100	25	10	1
O	SampleO	KEEP	100	100	10	1
P	SampleP	BREAK	100	1000	1	1
Q	SampleQ	BREAK	100	1000	1	1
R	SampleR	BREAK	100	1000	1	1
S	SampleS	BREAK	100	1000	1	1
T	SampleT	BREAK	100	1000	1	1

It is possible to edit the conditions on PC by the included software

→The suitable setting can be recalled instantly even if the sample is a lot.

### Selectable different test in 2 modes.

#### 1. BREAK mode: Measure force at a crimp terminal breaking.



The display shows the peak force at the crimp terminal breaking and the judgment result.



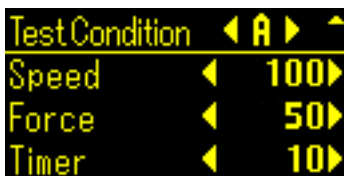
Peak Force      Judgement result

#### 2. KEEP mode: Test the tensile durability at setting force

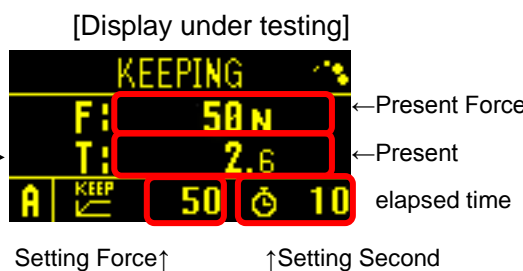
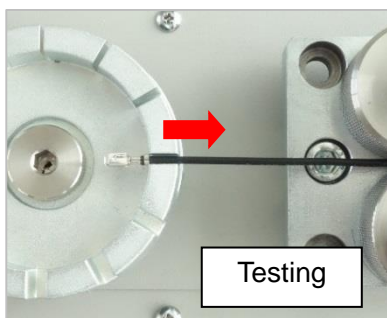
The test in accordance with following standards are possible.

JIS C2805(2010) "Crimp-type terminal lugs for copper conductors." (Keep loading force for 10 sec or more at 25mm/min)

UL 486A-486B(2013) "Standard for Safety for Wire Connectors, 9.3.4 Pullout test" (Keep loading force for 60 sec or more)



Set the test condition at "Keep loading more than 50N for 10 sec when pulling at 100mm/min".



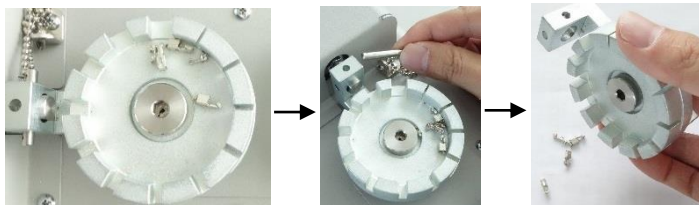
F: Peak Force  
T: Loading Time



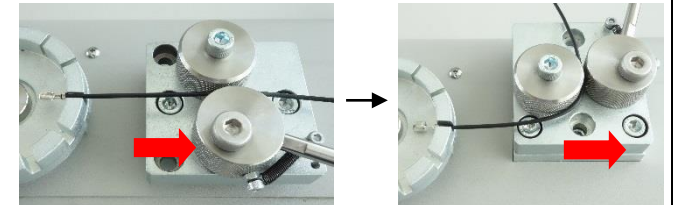
Judgement result

### User-friendly Structure

Discard broken terminals easily by removing the jig from the body.



Increase the gripping area and prevent the cover broken.



[Included Software]



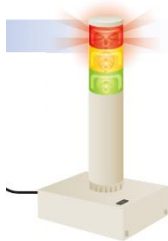
Test Result Import	Test Condition Edit
<p>Save the data (Peak Force, OK/NG judgement, Date&amp;Time, Test condition(Test mode, Speed, Setting force, Setting time) and the statistics can be saved in PC. It is possible to print and CSV output.</p>	<p>Collectively edit the test condition up to 26 patterns ( From A to Z)on PC. The edited conditions are available on ACT-1000N.</p>

[Specification]


Model	ACT-1000N	ACT-1000N-V300
Capacity	1000N	
Resolution	1N	
Accuracy	+/-0.5% F.S +/-1 digit	
Unit	N, kgf ,lbf (*1)	
Sampling rate	2000Hz	
Safe overload rating	Approx. 150% F.S.	
Overload warning	110% or less	
Measuring speed	10/25/50/100 mm/min (Choose from 4 steps)	25/50/100/300 mm/min (Choose from 4 step)
Stroke	Approx.50mm	
Allowable sample diameter	Terminal side: 1~8mm (*2)	
	Harness side: 1~8mm (*2)	
Allowable sample length	100mm or more	
Mode	BREAK/KEEP mode	
Number of registered test condition	26 patterns(A~Z)	
Output	USB/RS232C/pass or fail decision signal (OK/NG)	
Security lock	Emergency stop button and Overload prevention (at the power on)	
Power supply	AC100~240V	
Weight	Approx.11kg	
Size	W400*D240*H150	
Operating environment	Temperature :0~40 degree Celsius Humidity:20~80%RH	
Approved standard	-JIS C2805(2010) "Crimp-type terminal lugs for copper conductors." -UL 486A-486B(2013) " Standard for Safety for Wire Connectors, 9.3.4 Pullout test"	
Accessory	Software, USB cable, Power cord, Inspection Certificate	

\*1 This is the specifications for International model. Please note the available unit is different from Japanese domestic model and international one  
\*2 Please contact us when you need to measure smaller size samples. (TEL:+81-(0)532-33-3288)




[Related Product]

Jig for round terminals: ACT-T-01	Jig for rod terminals: ACT-T-02	Warning light(Custom-made order)
		
Easily fix round terminals. The allowable diameter is $\phi 3/5/8$ mm. The user can use the M4 screw hole for inserting a pin.	Grips a small terminal such as a rod terminal which has a same diameter as the wire.	It clearly shows the test judgement result.
Dimension: Please refer the dimension	Dimension: Please refer the dimension	-

[Printer]

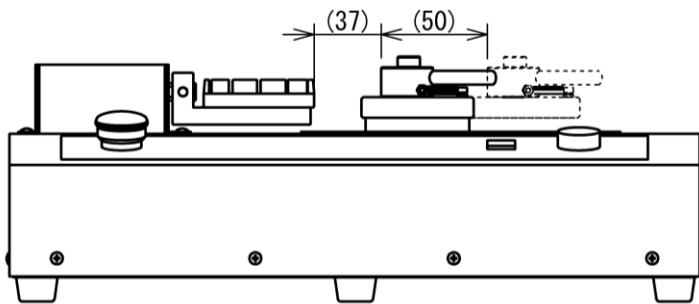
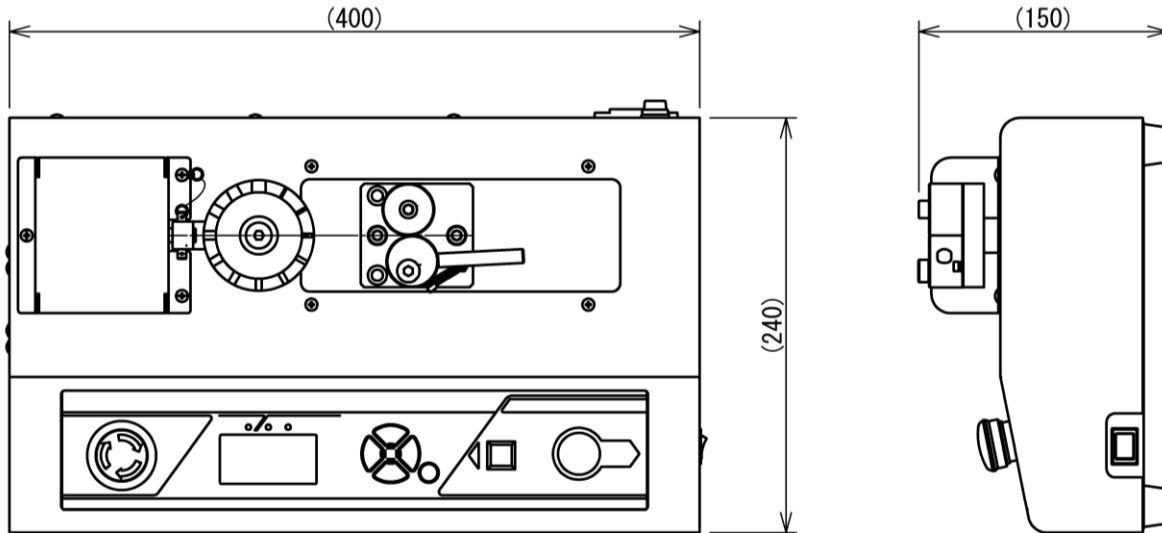
RS232C printer
 <p>Please prepare the printer if necessary. *IMADA RS232C cable CB-208 is available.</p>
<p>Direct print is possible by RS232C connecting for the test condition and the results.</p> <p>Operability confirmed device: BL2-58 (Sanei Electric INC.)</p>

[Other examples of crimp test]

Simple test by manual tester	General use by vertical motorized test stand	Test for large diameter wire
		
Configuration DS2-500N / LH-500N	Configuration ZTS-500N / MX2-500N / CB-518 / FW-12 / GP-30	Configuration ZTS-2500N / MX2-2500N / CB-518 / CH-5000N / CW-5000N



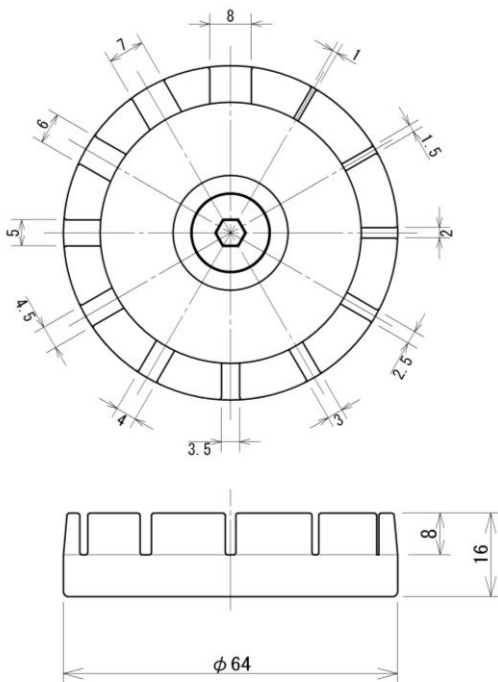
[Dimension]



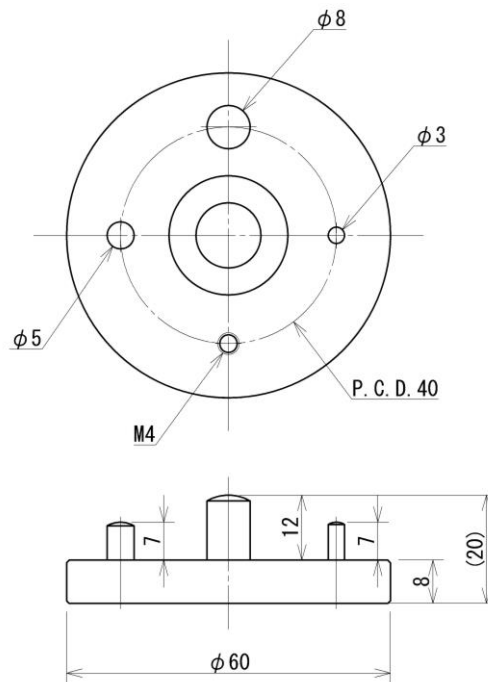
Trench dimensions of Wire Terminal Jig	1,1.5,2,2.5,3,3.5,4,4.5,5,6,7,8 (mm)
Allowable diameter of wire clamp jig	1~8 (mm)

Please contact us when you need to measure smaller size sample. (TEL:+81-(0)532-33-3288)

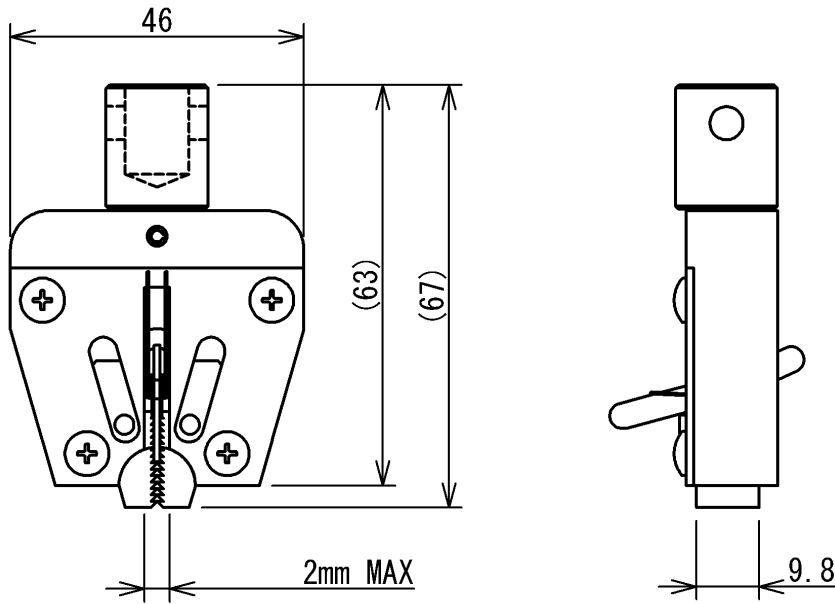
Wire Terminal Jig (Included)



Wire Round Terminal Jig: ACT-T-01(Optional)



Rod Terminal Jig: ACT-T-02(Optional)



[Caution]

- The contents may be changed without previous notice.
- All of products are designed for measurement purpose only.
- Do not copy and use this content without authority.
- Please note that the capacity is dependent on the displayed unit. Please contact us for details.